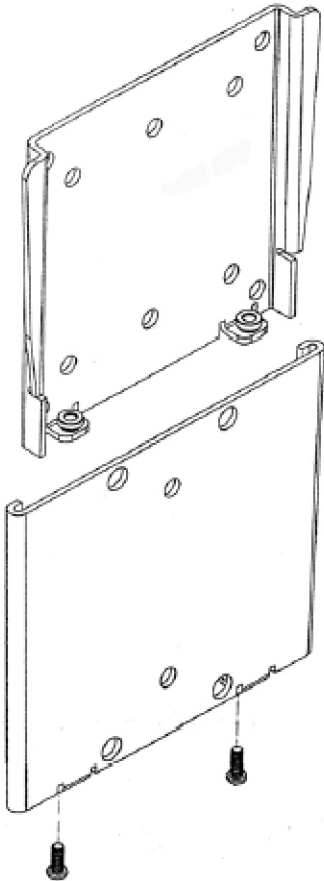
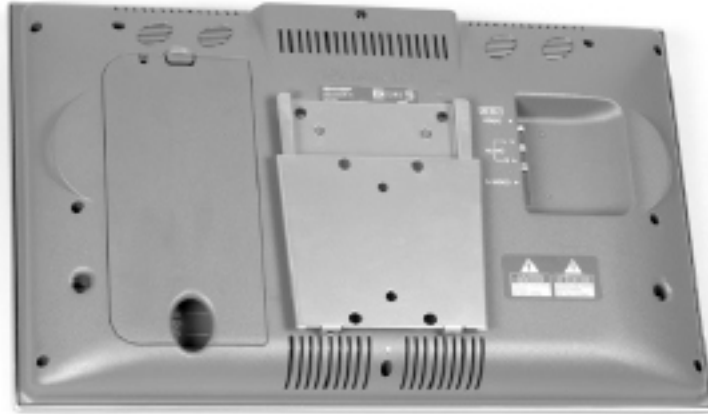


Installation Instructions

MBL-750



STUD MOUNTING

Determine the desired location for the LCD

Important : Make sure there is adequate mounting space available for the TV, considering the monitor dimensions.

Using an stud finder, locate the center of the wood stud.

Level the wall plate with a bubble level and then using the plate marked "mount on wall" as a template, mark mounting hole locations over the center of the stud.

Drill 2 mounting holes into the stud using a 5/32" drill bit.

Secure the mount wall plate with supplied wood screws.

Attach the plate marked "mount on monitor" to the back of the TV with 4mm or 5mm supplied screws. Check the monitor's owners manual for correct length of screw to be used.

Caution: never force screws into the monitor, as damage may occur.

Carefully position monitor so that wall and TV plates are vertically aligned with the bottom of TV plate overlapping the top of the wall plate by approximately 1".

Gently lower the TV monitor into position, sliding the two plates together until the TV plate bottoms out.

Caution: make sure that the plates are engaged on both side of the mount before releasing your grip on the TV.

Install two 10/32 security screws through bottom of wall plate.

Masonry Mounting: Position the wall plate in desired mounting location on the wall

Level the wall Plate with a bubble level and then sing the wall bracket as a template, mark mounting hole location on the wall

Drill 2 mounting holes using a 5/16" masonry bit. Insert wall anchors into the mounting holes, and lightly tap them flush to the wall with a hammer.

Caution: Wall anchors should only be used for masonry mounting. NEVER use the supplied wall anchors to mount the bracket to drywall. Drywall alone will not support the weight of TV